



Installation instructions, accessories

Volvo Car Corporation Gothenburg, Sweden

Instruction No	Version	Part. No.
8639661	1.1	30758234, 8639658, 31439072

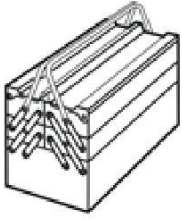
ISOFIX mounting child seat, rear



Installation instructions, accessories

Volvo Car Corporation Gothenburg, Sweden

Equipment

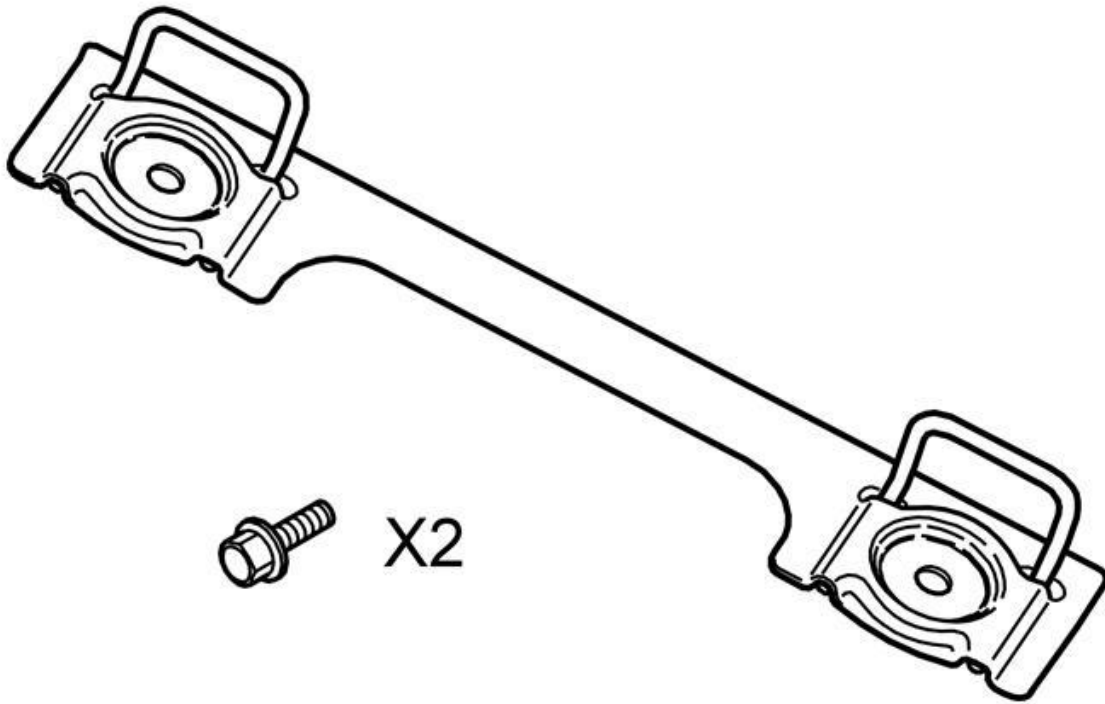


A0000162



A0000161

Nm
lbf.ft



J8903389



Installation instructions, accessories

Volvo Car Corporation Gothenburg, Sweden

INTRODUCTION

Read through all of the instructions before starting installation.

Notifications and warning texts are for your safety and to minimise the risk of something breaking during installation.

Ensure that all tools stated in the instructions are available before starting installation.

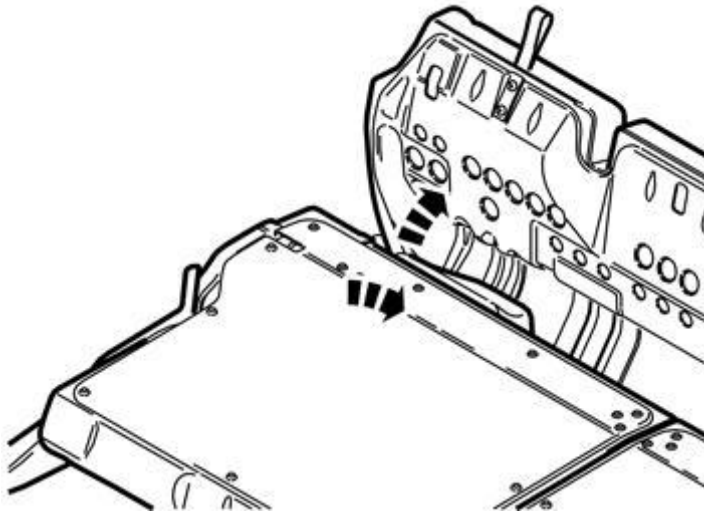
Certain steps in the instructions are only presented in the form of images. Explanatory text is also given for more complicated steps.

In the event of any problems with the instructions or the accessory, contact your local Volvo dealer.

Note!

The following text describes how to install the ISOFIX mounting on the left-hand side, it can, however, also be installed on the right-hand side of the rear seat in the corresponding way.

1



J8504621

Steps 1-6 apply to the S40 (04-) and V50

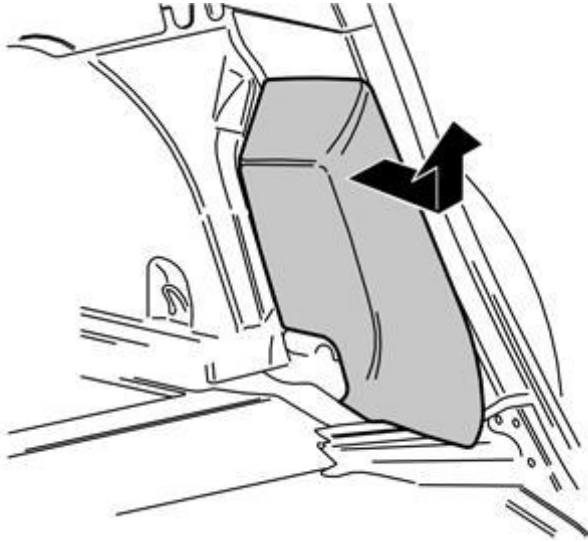
Fold the left-hand seat cushion and rear seat backrest forward.



Installation instructions, accessories

Volvo Car Corporation Gothenburg, Sweden

2

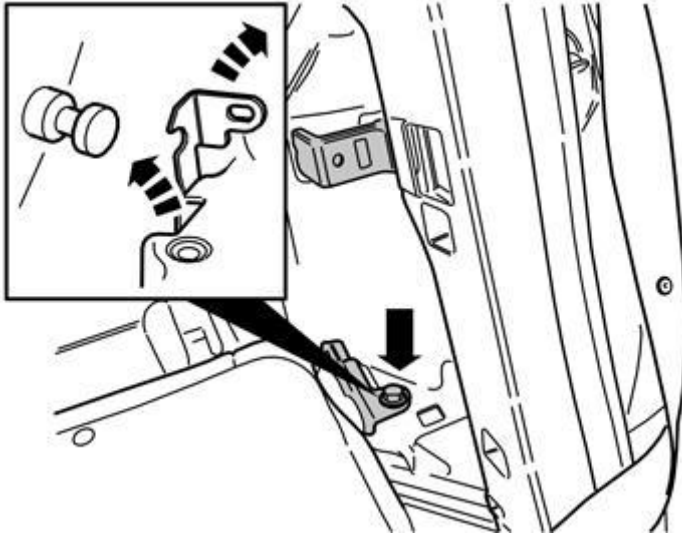


J8504626

Grasp the upper edge of the left-hand side cushion A. Pull the side cushion forward so that the clips on the reverse release.

Remove the side cushion by sliding it upwards.

3



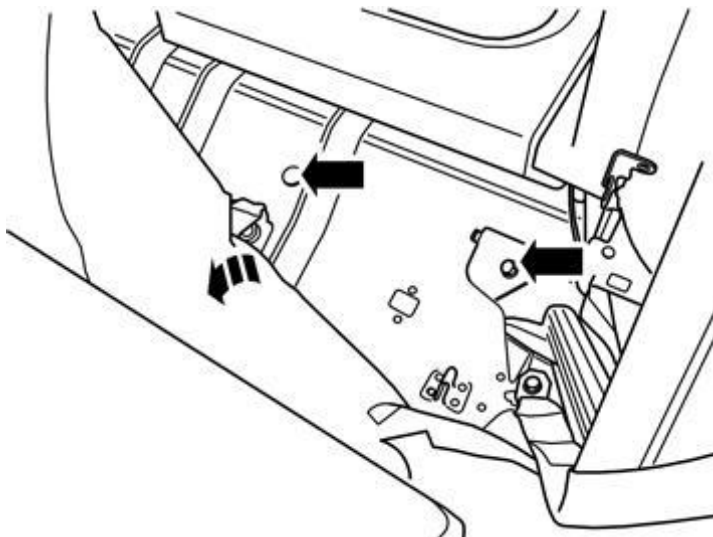
J8903474

Remove the screw for the left-hand rear backrest mounting in the body. Fold up the bracket over the mounting in the backrest.

Lift up the free end of the backrest and pull it off from the right.

Position the backrest behind the backrest of the front seats.

4



J8903431

Pull off the rear edge of the floor carpet from the floor support. Fold the carpet to one side to expose the attachment points for the ISOFIX mounting in the floor.

Remove the screws from the support bracket, new screws are in the kit.

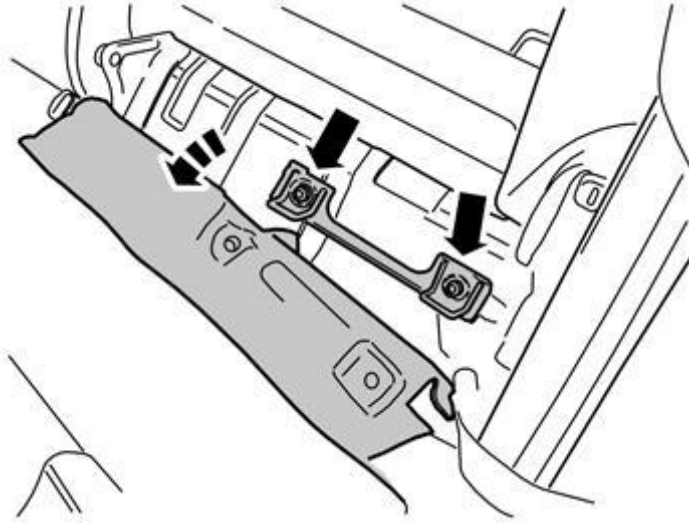
Remove the cover plug from the floor, it will no longer be used.



Installation instructions, accessories

Volvo Car Corporation Gothenburg, Sweden

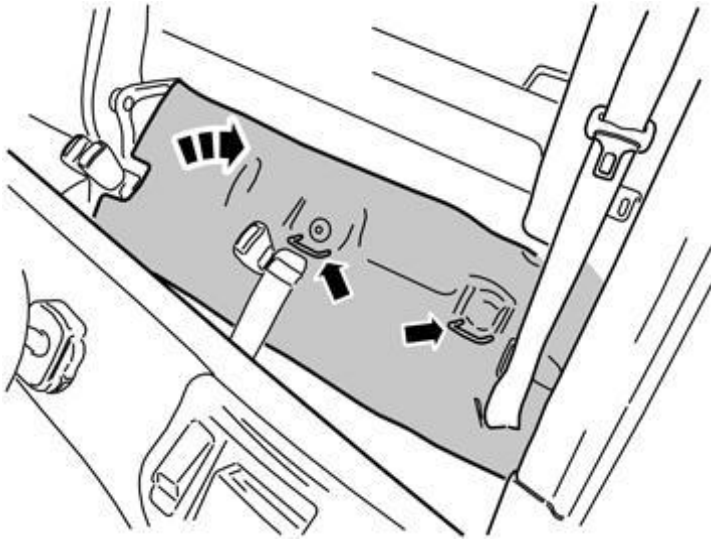
5



J8903390

Install the ISOFIX mounting, from the kit, over the weld nuts. Tighten the mounting using the two screws. Tighten to **40 Nm (30 lbf.ft.)**.

6



J8903391

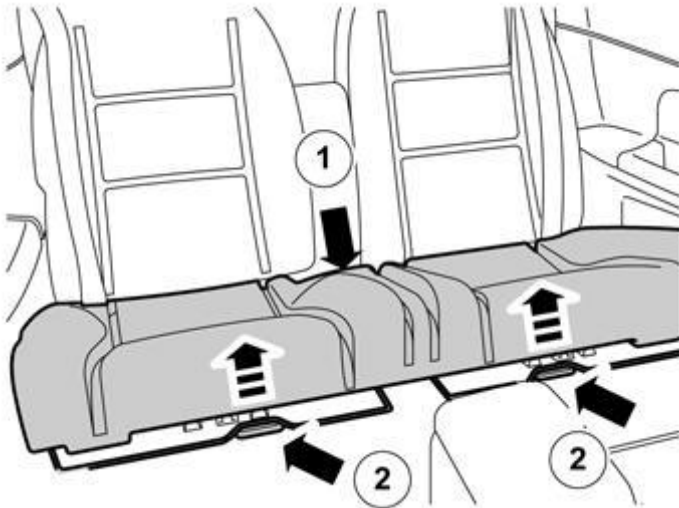
Fold the floor carpet back into place and insert the ISOFIX mounting's eyelets in the two cut-outs. Insert the rear edge of the floor carpet under the floor support. If necessary, pry up the floor support to make room.

Reinstall the backrest. Tighten the screws to **40 Nm (30 lbf.ft.)**.

Reinstall the side bolster.

Fold the seat cushion back into place.

7



IMG-241185

© Volvo Car Corporation

Steps 7-19 apply to the C30

Pull off the seat cushion, first at the rear edge where it is secured by one holder. Then at the front edge where it is secured by two holders.

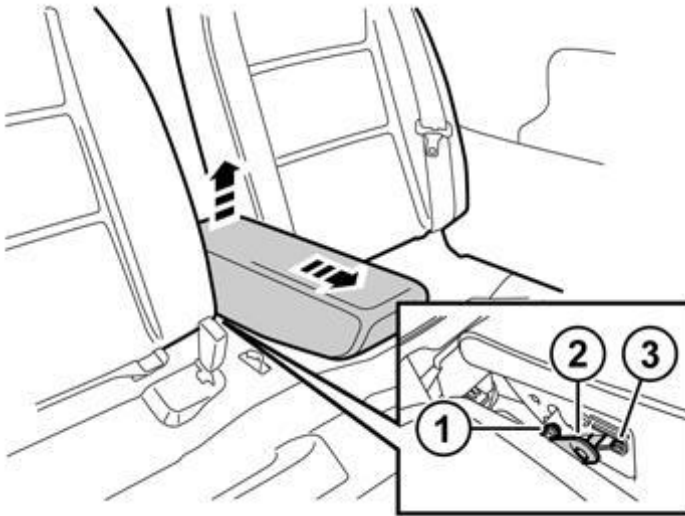
Remove the seat cushion.



Installation instructions, accessories

Volvo Car Corporation Gothenburg, Sweden

8



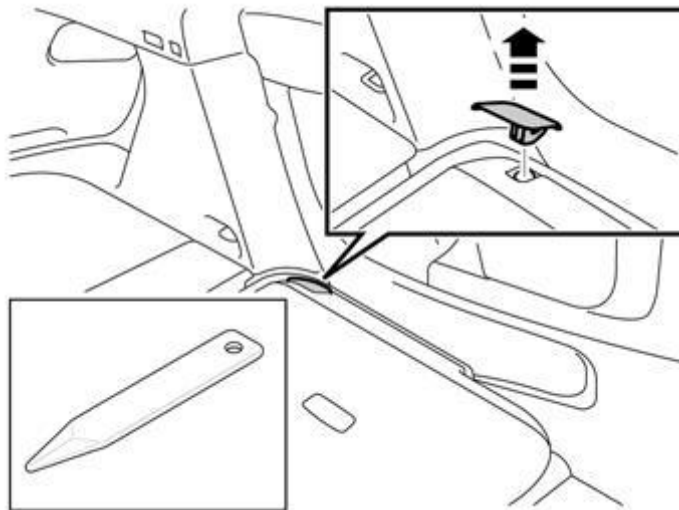
IMG-246643

Fold the central arm rest forward.

Remove the central arm rest by grasping each end and pulling upwards until it releases at the rear edge from the backrest's lugs (1).

Then pull forwards until the holders (2) on the sides of the backrest have slid out of the corresponding cut-out (3) in the central arm rest.

9



IMG-241186

Fold the backrest forward.

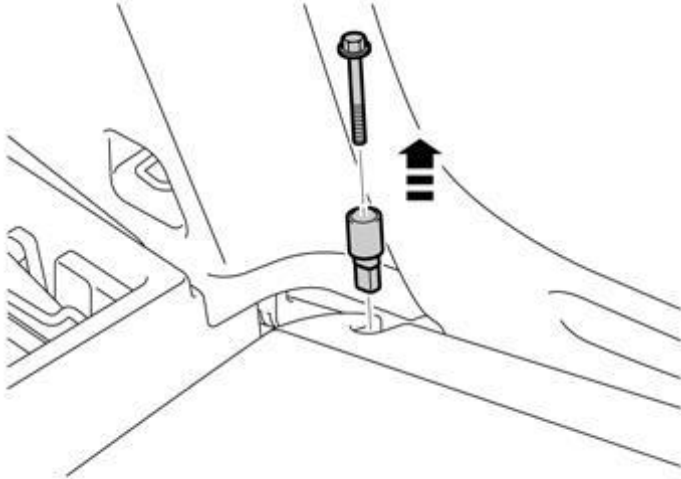
Remove the panel for the backrest's left-hand mounting.



Installation instructions, accessories

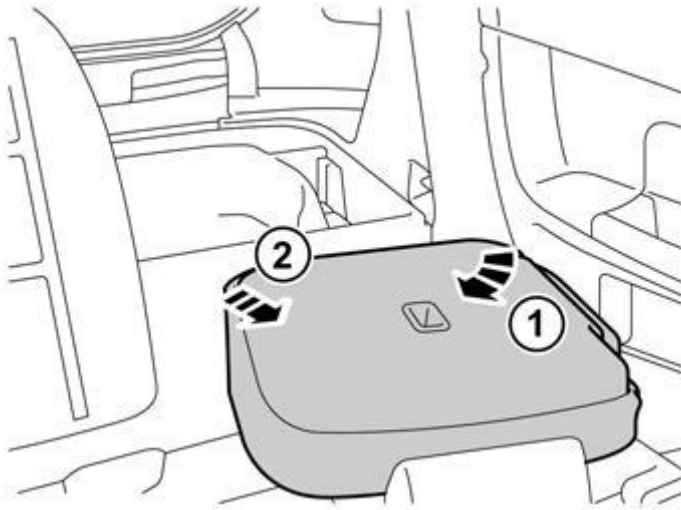
Volvo Car Corporation Gothenburg, Sweden

10



IMG-241187

11

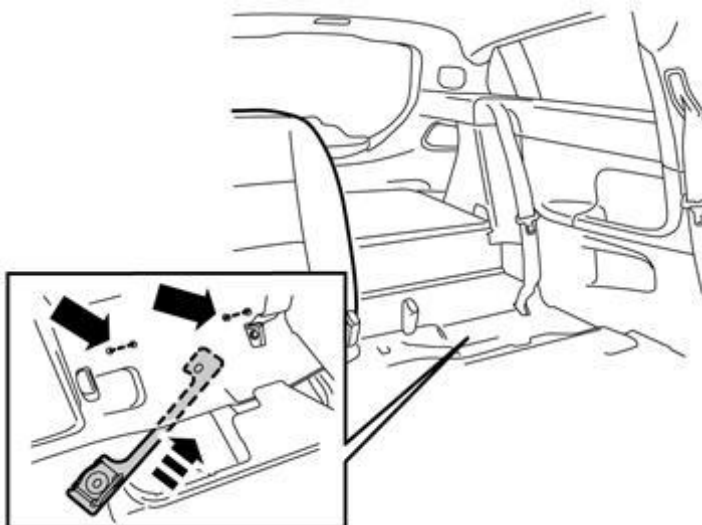


IMG-241188

Fold the backrest away from the left-hand mounting.

Pull it out from the mounting at the armrest and remove it.

12



IMG-251863

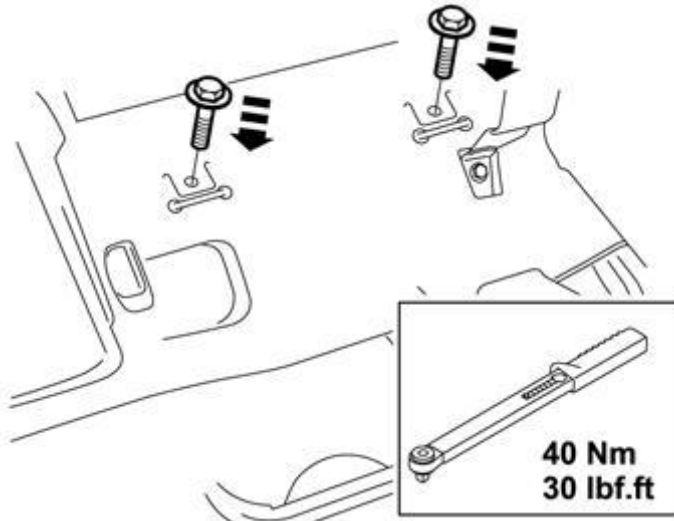
Insert the mounting under the insulation panel and move the brackets up in the slots in the insulation panel



Installation instructions, accessories

Volvo Car Corporation Gothenburg, Sweden

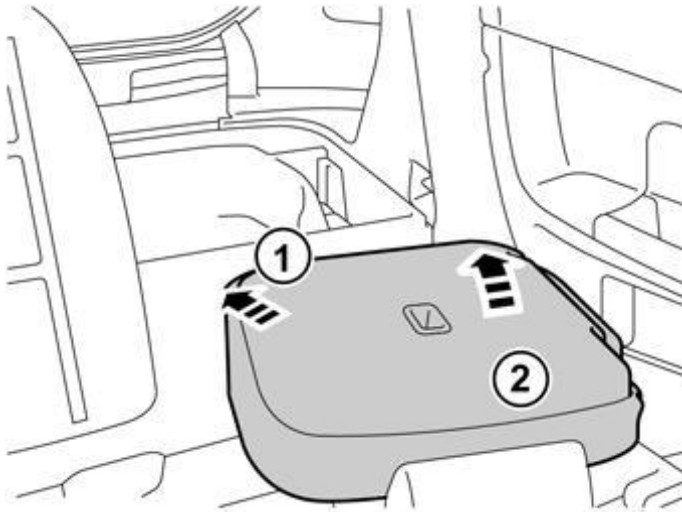
13



IMG-251864

Take the two screws from the kit. Tighten the mounting. Tighten to **40 Nm (30 lbf. ft.)**.

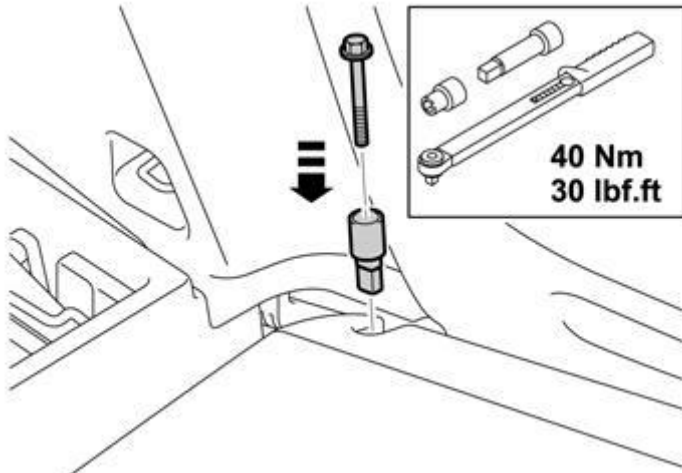
14



IMG-241371

Reinstall the backrest. Check that it is securely in its mountings.

15



IMG-252251

Secure the backrest in the left-hand mounting with the screw and lock pin.

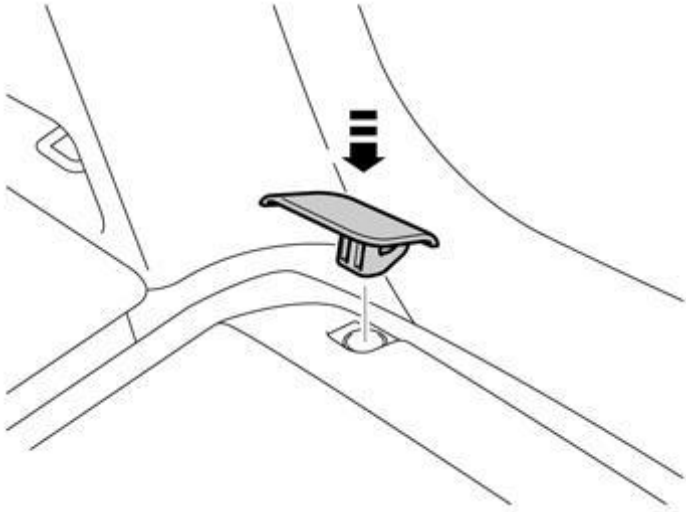
Tighten the backrest and check that it is securely in its mountings. Torque tighten the screw to **25 Nm (18.5 lbf.ft.)**.



Installation instructions, accessories

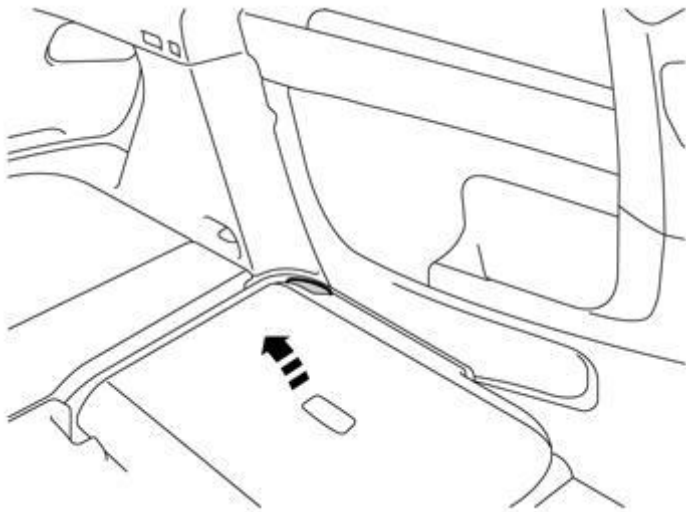
Volvo Car Corporation Gothenburg, Sweden

16



IMG-241375

17



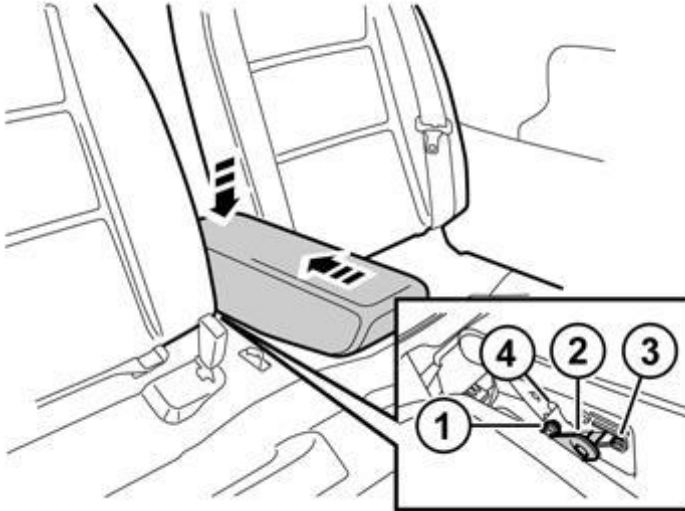
IMG-241376



Installation instructions, accessories

Volvo Car Corporation Gothenburg, Sweden

18

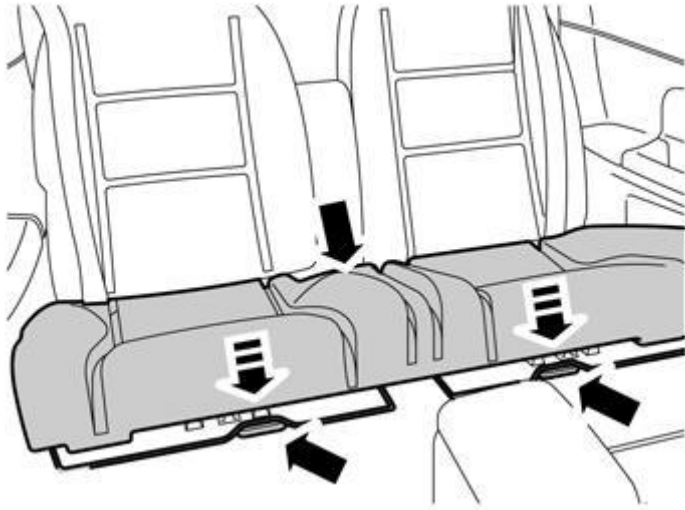


IMG-246644

Reinstall the central arm rest by grasping each end, moving it up towards the backrest lugs (1) and aligning the holders (2) in the backrest's sides in the central arm rest's cut-out (3).

Then press the central armrest down at the rear edge so that the lugs (1) engage in the cut-out (4). A click should be heard when the central armrest is secured.

19



IMG-241377